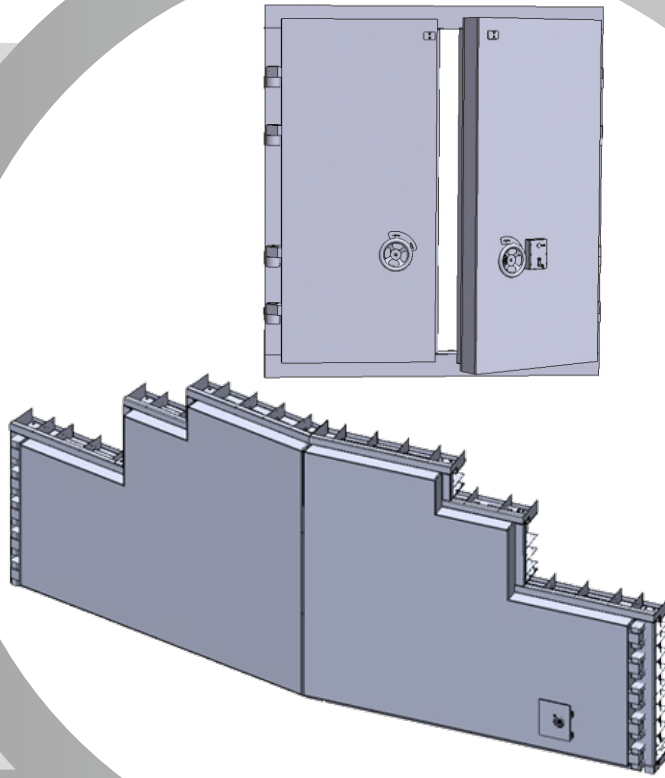


Pedvak[®]

Powered with Technology

An ISO : 9001-2015 Company



EOT CRANE



VEHICLE ACCESS CONTROL EQUIPMENT



PEDVAK TECHNOLOGIES PVT LTD.

Contact :

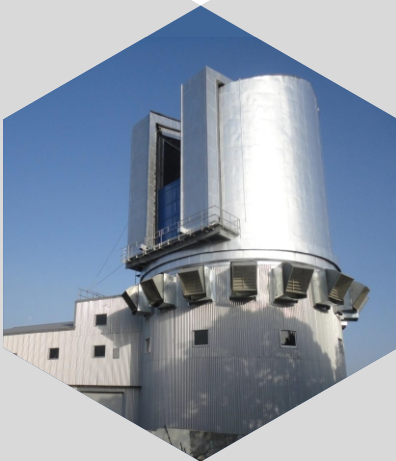
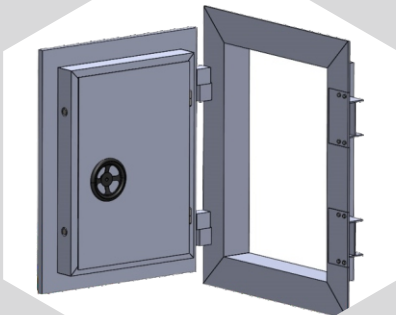
Ph. : +91 79937 00700 | 63095 66678
Email : info@pedvak.com
Web : www.pedvak.com

Works :

Pedvak Technologies Pvt. Ltd.
Plot No. 15&19, Phase-II,
IDA Cherlapally, Hyderabad - 500 051

Reg. Office :

Pedvak Technologies Pvt. Ltd.
Plot No. 18, Parvathi Nagar,
ECIL Post, Hyderabad - 500 062



INDEX

- **About Pedvak**
- **Special Purpose Doors**
 - ▶ Blast Resistant Doors
 - ▶ Radiation Shielding Doors
- **Material Handling Equipment**
 - ▶ EOT Cranes
(FLP, Tandem operated & 5-Axis Cranes)
 - ▶ Traversing & Bin Trolleys for Article Storage
 - ▶ Automated Storage & Retrieval System (ASRS)
- **Integrated Security & Surveillance Systems**
 - ▶ Vehicle Access Control & Monitoring System
 - ▶ Intelligent Traffic Management System(ITMS)
- **Annual Maintenance Contracts**



ABOUT PEDVAK

Pedvak Technologies Pvt. Ltd. is an ISO9001:2015 certified MSME unit established in 2003 at IDA Cherlapally, Hyderabad, India, with a vision & mission to provide a fully integrated wide range of customized-Indigenously designed and developed products & services in the field of:

- ▶ Special Purpose Doors
(Blast Resistant & Radiation Shielding Doors)
- ▶ Material Handling Equipment
(EOT Cranes, ASRS and Trolleys)
- ▶ Integrated Security & Surveillance Systems
- ▶ Annual Maintenance Contracts

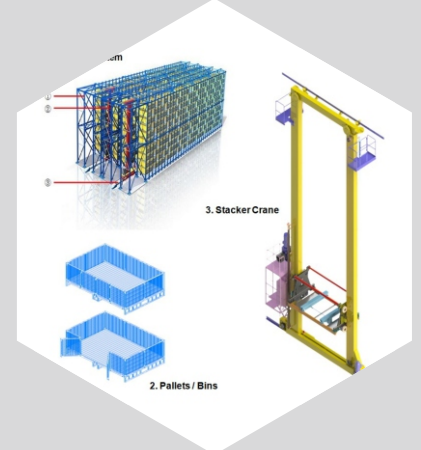
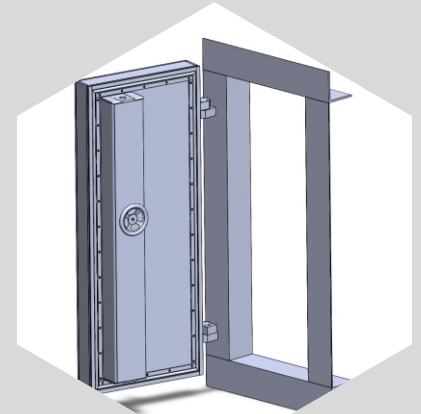
Our equipment and services to various sectors covering

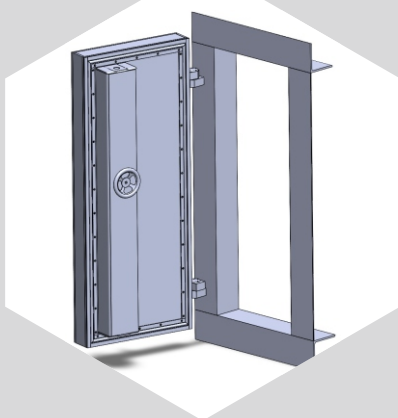
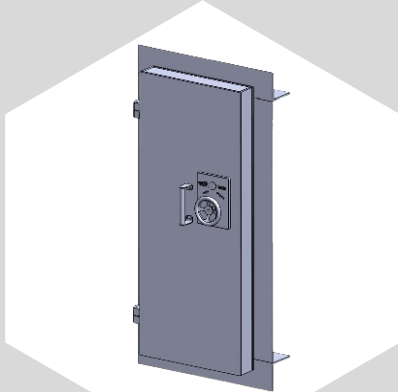
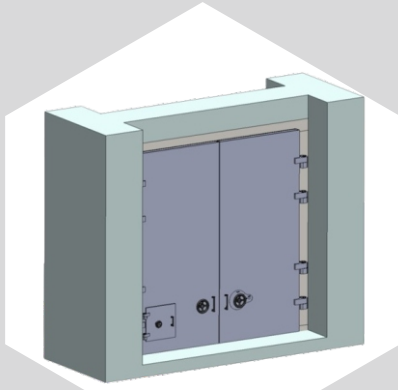
- ▶▶ Defence
- ▶▶ Nuclear
- ▶▶ Steel
- ▶▶ Power
- ▶▶ Department of Space
- ▶▶ Astronomical Observatories
- ▶▶ Homeland security

Pedvak has supplied and installed various equipment to establishments :

- ▶ Ministry of Defence:DRDO (CCE (R&D), RCI, ASL), Airforce, Navy, MDL,GRSE, BDL, NSTL, HSL.
- ▶ ISRO, NAL, NPCIL, BHAVINI, BHEL, ECIL, VSP.

We also rendered our services for AMC, modernization, and exceptional repairs to the above equipment.





SPECIAL PURPOSE DOORS

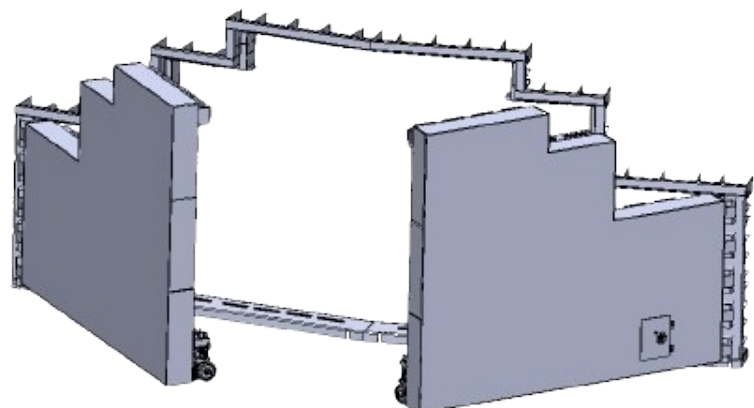
Two decades of experience in the design and manufacturing of Blast doors and our designs/FEM reports are vetted by IIT.

Our Blast Door was tested at its full-scale design blast pressure at TBRL, Chandigarh.

Blast Resistant Doors

- ▶ Blast Resistant Hangar doors
- ▶ Blast Resistant Steel Swing Doors of Single / Double leaf.
- ▶ Blast Resistant Motorized Steel Top hung Sliding Doors
- ▶ Fire-rated / Air-tight Blast Resistant Swing Doors
- ▶ Blast Resistant Windows

- We have supplied blast doors of around 57Nos in different sizes and blast pressures to DRDO, Air Force stations (MBDA), and Navy Projects.
- With blast door automation as per the process requirement.
- Collaborating Industry Partner to IIT-Delhi in developing “Composite Panels for Blast and Ballistic Resistance.”
- **Developed Blast Sleeves and Blast Valves are under development.**





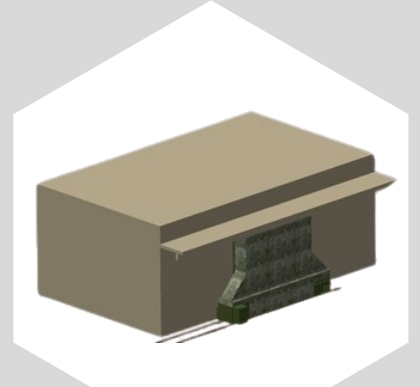
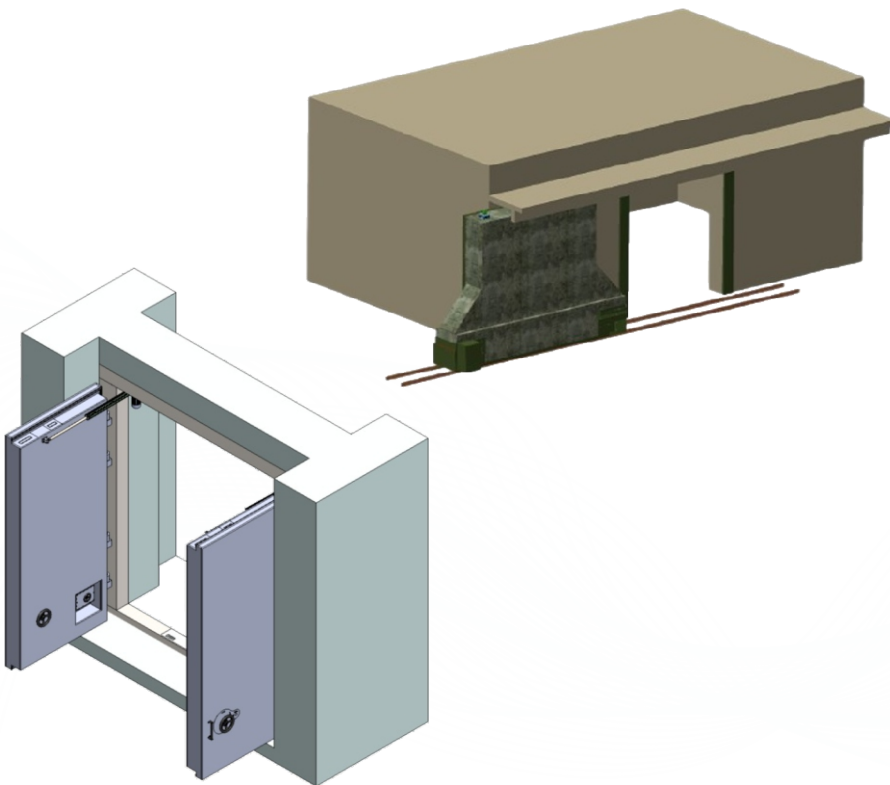
Radiation Shielding Doors

We supplied around 30nos Radiation shielding doors of steel-cladded Lead and HDPE and Motorized RCC Sliding Doors of different sizes and thicknesses ranging from 300mm to 2000mm, weighing around 250 tons, for NDT facilities and DRDO and ISRO projects.

- ▶ Radiation Shielding STEEL / LEAD / HDPE Doors for NDT Buildings
- ▶ Radiation Shielding RCC Doors for NDT Buildings

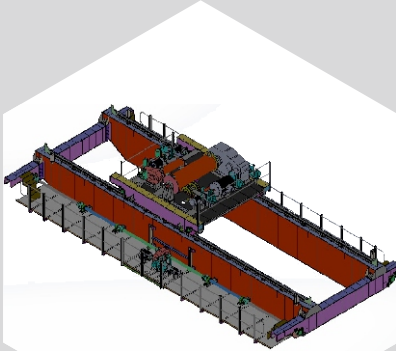
Other Doors

- ▶ Acoustic Shielding Steel / RCC Doors
- ▶ Motorized Telescopic Doors for hangars





MATERIAL HANDLING EQUIPMENT



► EOT Cranes

- ❖ Flameproof EOT Cranes with VVF Drives and PLC Controls,
- ❖ Tandem Operated Cranes.
- ❖ 5 Axis Control Equipment, such as Hydraulic Telescopic Arrangements, Turntables, etc., with VVVF Drives, Servo Motors, PLC, HMI Controls, LM Guide, etc.
- ❖ Traversing and Bin Trolleys for article storage
- ❖ Automated Conveyor System with VVVF Drives & PLC Controls
- ❖ Transducer Positioning System with Automation.

Supplied more than 400Nos of EOT Cranes, including

- FLP Tandem Operated EOT Cranes with VVVF Drives and PLC to | CCE (R&D).
- 5 Axis Telescopic Cranes to handle LINAC machines in NDT Facilities.
- 5 Axis Transducer Positioning System to BDL.

Supplied Bin & Flameproof Traversing Trolleys for Article Storage

► Automated Storage & Retrieval System (ASRS)

- Single /Double Column Stacker Cranes ranging from 50kg to 3000kg.
- Multi-aisle Operation Stacker Cranes
- Automatic, Semi-Automatic & Manual Operated.
- Transfer Cars, bins, and racks.
- Development of Warehouse Management System (WMS).

ASRS Systems are supplied to Railways, Navy Projects, and BHEL.

- We have developed AGVs for manufacturing lines with SEW drives and controls.





INTEGRATED SECURITY & SURVEILLANCE SYSTEM

▶ Vehicle Access Control & Monitoring System

- ❖ Crash Rated Bollard
- ❖ Road Blockers & Tyre Killers
- ❖ Crash Rated Sliding Gates

▶ Intelligent Traffic Management System (ITMS)

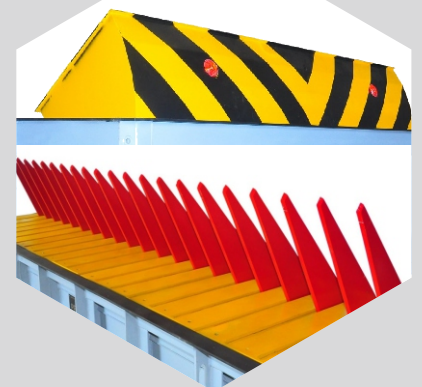
- ❖ ANPR System
- ❖ CCTV Surveillance & Networking Systems

Bollards, Tyre killers and Road blockers are supplied and installed at VVIP Areas, Airports and DRDO Projects.

An Intelligent Traffic Management System (ITMS) installed on the Delhi–Ambala Highway including **Speed Enforcement System, Automatic Number Plate Recognition, and Surveillance System.**

ANNUAL MAINTENANCE CONTRACTS

We will undertake Annual Maintenance, Modernization and Special Repairs for blast doors and EOT Cranes.



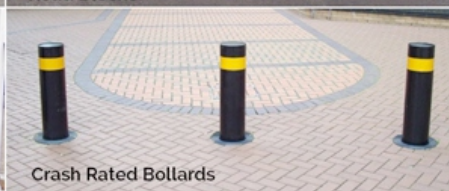
Tyre Killer



Road Blocker



Crash Rated Sliding Gate



Crash Rated Bollards



CLIENTELE

